

SolarRiver - D Series



SAMIL POWER
Expert for PV Grid-tied Inverters

SolarRiver 3400TL-D / 4000TL-D / 4500TL-D / 5000TL-D* / 5200TL-D
(Single phase)

Features:

Leading-edge Technology

- **Dual MPPT** for independent or parallel input mode (auto detecting)
- Wide MPP voltage range
- No fan design for higher reliability and lower noise
- Embedded DC switch (optional)

Flexibility

- Tool-free DC connector for easy installation and maintenance
- RS485,GPRS,WiFi and ethernet communication for more flexible configuration and monitoring
- Use for indoor or outdoor (IP65)
- 3.5 inch TFT LCD display and Multi-lingual display
- Grid protection standard setting is more convenient and safer by using service password

Built to last

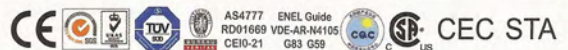
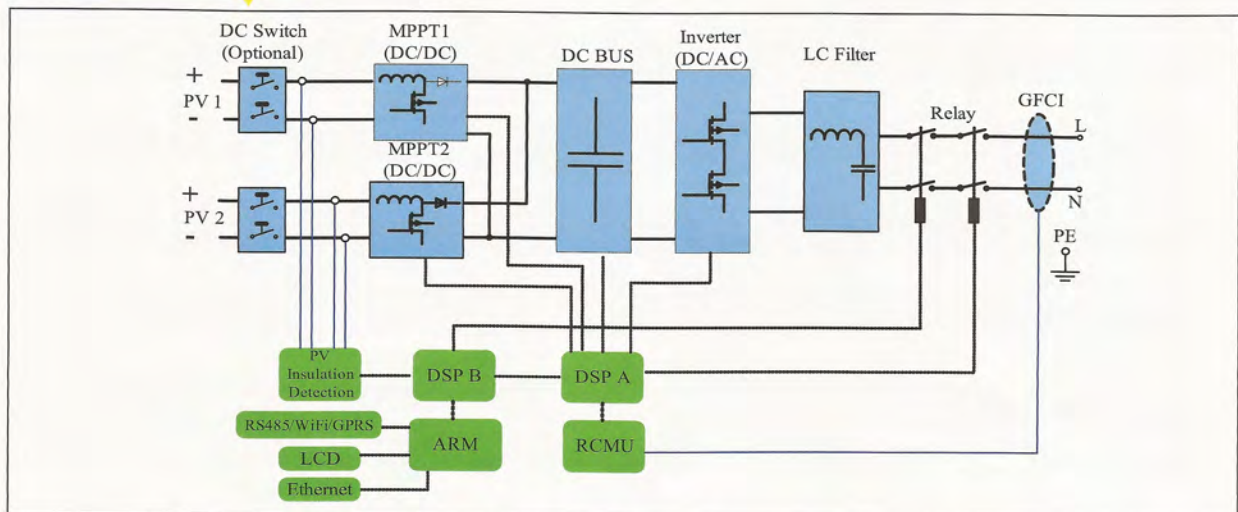
- Anti-theft protection
- 5 years standard warranty, up to 25 years warranty extension

Certificates

- Comply with **NEW CEI 0-21** (Italy) , **VDE AR-N4105** (Germany), **AS4777,G83/G59, C10/C11**,ect. (18 countries' Grid Standard)



SolarRiver Topology



Data Sheet

SolarRiver - D Series

NEW

Inverter Model	SolarRiver 3400TL-D	SolarRiver 4000TL-D	SolarRiver 4500TL-D	SolarRiver 5000TL-D*	SolarRiver 5200TL-D
Input (DC)					
Max. PV power [W]	3400	4000	4500	5000	5200
Max. DC voltage [V]	550				
Max. input current [A]	10.5/10.5	12/12	13.5/13.5	15/15	15/15
Number of MPP trackers Strings per MPP tracker	2 / 1				
Max power of Track 1/Track 2 [W]	2200/2200	2500/2500	2750/2750	3000/3000	3100/3100
MPPT voltage range (at rated power) [V]	160~500	160~500	165~500	175~500	175~500
DC Switch	optional				
Shut down voltage /Start voltage [V]	60 / 100				
Output (AC)					
AC nominal power [W]	3000	3680	4000	4600	4600
Max. AC power [W]	3200	3680	4300	4600	5000
Max. AC current [A]	16	16	22	23	24
Nominal AC voltage / range [V]	230 / 180~270				
AC grid frequency / range [Hz]	50 / 47~52				
Power factor (cosφ)	0.8 lagging ~ 0.8 leading				
Total harmonic distortion (THDi) (at nominal power)	<3%				
Efficiency					
Max. efficiency	97.4%	97.6%	97.6%	97.6%	97.6%
Euro efficiency	96.5%	97.1%	97.1%	97.1%	97.1%
MPPT efficiency	99.9%				
General data					
Dimensions (W / H / D) [mm]	520 / 380 / 175				
Weight [kg]	23	25			
Operating temperature range [°C]	-20 ~ +60				
Ingress protection	IP65				
Topology	transformerless				
Internal consumption (night) [W]	<3				
Cooling concept	Convection				
Noise (typical) [dB]	<30				
LCD display	3.5 inch TFT LCD				
Communication	Ethernet				
Standard warranty [year]	5				
Inverter Model	SolarRiver 3400TL-D	SolarRiver 4000TL-D	SolarRiver 4500TL-D	SolarRiver 5000TL-D*	SolarRiver 5200TL-D

* SolarRiver 5000TL-D is for the country which restrict power of single phase to 4600W. Such as Germany