

Sunny Boy 3300TL

For the big boys



Top efficiency (95,6%)

Extended input voltage range
(125 to 750 V DC)

Transformerless with inte-
grated all-pole sensitive
residual current detection

SMA grid guard® (MSD)

Diagnosis and communication
via Powerline Communication,
radio transmission or via data
cable (RS232 or RS485)

Extended temperature range
-25 °C to +60 °C

For outdoor and
indoor installation

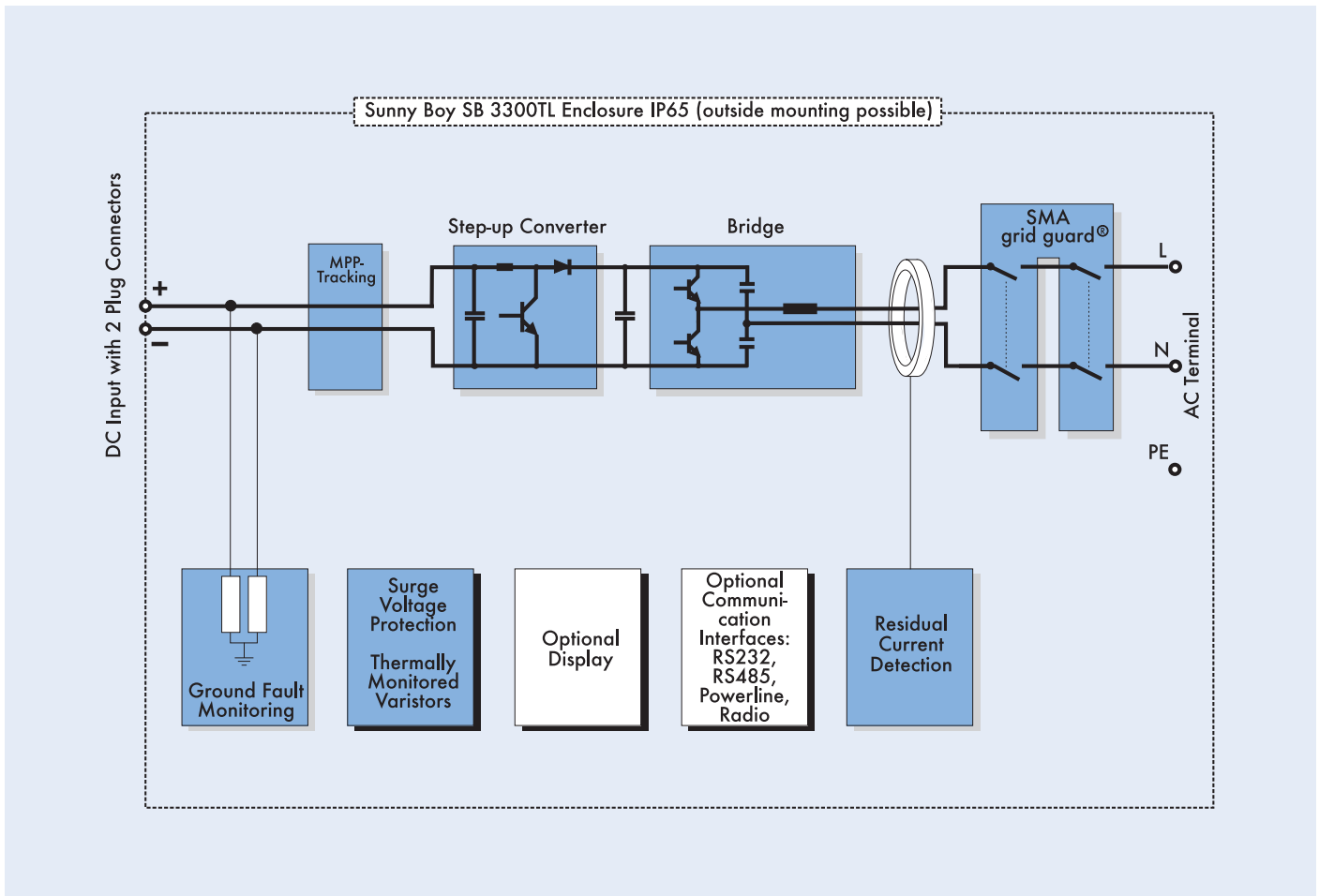
Connection on the DC side
with plug connectors

Surge voltage protection with
integrated thermally monitored
varistors

Today, solar cells are increasingly being used in solar power system configurations that due to their size are able to generate more power with the same module surface area. With its combination of an extra wide input voltage and input current range, the SB 3300TL is highly compatible with basically all current cell technologies. There are no restrictions on the choice of solar generator up to a capacity of 3850 Wp.

Outstandingly high 95,6 % efficiency and generously dimensioned cooling elements guarantee continuous grid feeding at the maximum inverter output at ambient temperatures up to 40 °C.





Schematic diagram of the Sunny Boy 3300TL

Technical Data

	SB 3300TL
Input	
Recc. maximum PV-power (P_{PV})	approx. 3850 W _p *)
Max. DC power ($P_{DC, max}$)	3440 W
Max. DC voltage ($U_{DC, max}$)	750 V
PV-voltage range, MPPT (U_{PV})	125 V - 750 V
Max. input current ($I_{PV, max}$)	8 A
DC voltage ripple (U_{pp})	< 10 %
Max. number of strings (parallel)	1
DC disconnection	Snap cable connectors
Thermally monitored varistors	yes
Ground fault monitoring	yes
Pole confusion protection	Short circuit diode
Output	
Max. AC power ($P_{AC, max}$)	3300 W
Nominal AC power ($P_{AC, nom}$)	3000 W
THD of grid current	< 4 %
Default range of AC voltage (U_{AC})	198 V - 260 V
Possible range of AC voltage	180 V - 265 V
AC frequency (f_{AC})	49.8 Hz - 50.2 Hz
Possible range of AC frequency	45.5 Hz - 54.5 Hz
Phase shift (cos phi)	1
Short circuit proof	yes, current control
Connection to utility	AC Terminal
Efficiency	
Max. Efficiency	95.6 %
Euro-eta	94.4 %
Enclosure	
accord. to DIN EN 60529	IP65
Mechanical Data	
Width / height / depth in mm	470 / 490 / 225
Weight	approx. 28 kg

*) for PV-Plants in Germany